

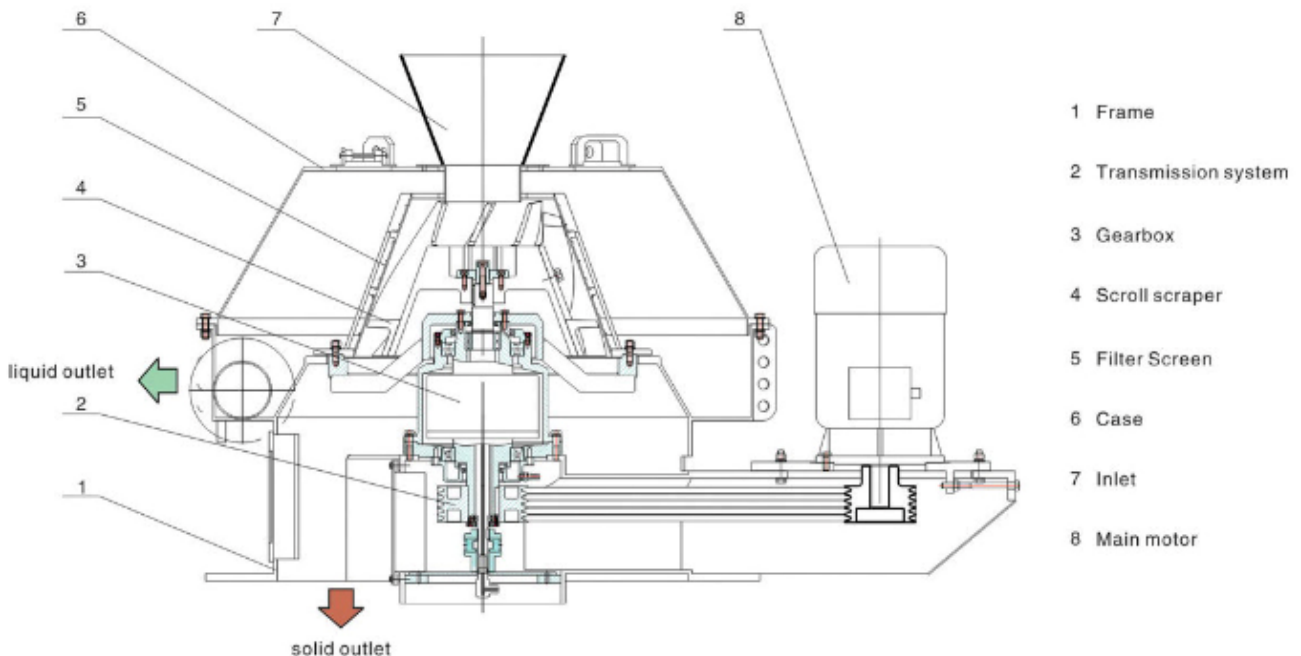
LLL Vertical Worm Screen Centrifuges



Main Features of LLL Vertical Worm Screen Centrifuge

1. Rotating components on this large volume centrifuge, such as basket and scroll, are of vertical layout, ensuring remarkable operation stability and reduced vibration.
2. Main parts of our vertical filtration centrifuge, including basket and scroll, are made from high-end stainless steel or manganese steel, thus offering outstanding corrosion resistance and durability.
3. Basket conical angle is varied by different processing methods.
4. Specialized metal bar screen comes with thickness up to 1.0mm, and features prominent abrasion resistance and long lifespan.
5. This fully automatic filtration centrifuge is endowed with continuous workflow covering feeding, spinning, dewatering and discharge, whereby offering processing capacity up to 60t.
6. Our industrial filtration centrifuge is fitted with independent lubrication system, so as to provide reliable performance and easy maintenance.
7. 3K-type planetary differential gear is introduced. Compared to other similar products, our gear offers larger torque.

Structure Diagram of LLL Vertical Worm Screen Centrifuge



Technical Parameter of LLL Vertical Worm Screen Centrifuge

Model	LLL500	LLL600	LLL700
Basket Dia. (mm)	500	600	700
Max. Speed (r/min)	2000	1600	1330
Centrifugal Force	1120	860	660
Screen Quantity	20-70	20-70	20-70
Production Capacity (t)	20	40	60
Motor Power (kW)	15	30	45
Voltage (V)	380/460	380/460	380/460
IP Rating	IP56	IP56	IP56
Dimension (L×W×H) (mm)	1520×1180×1200	1800×1400×1450	2250×1580×1500
Weight (kg)	900	2980	3440